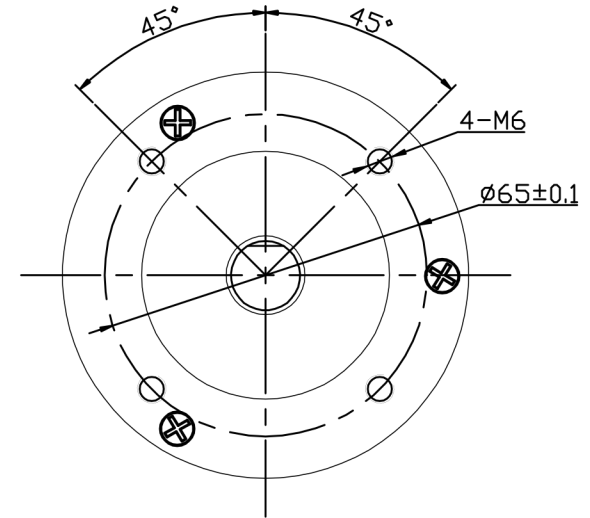
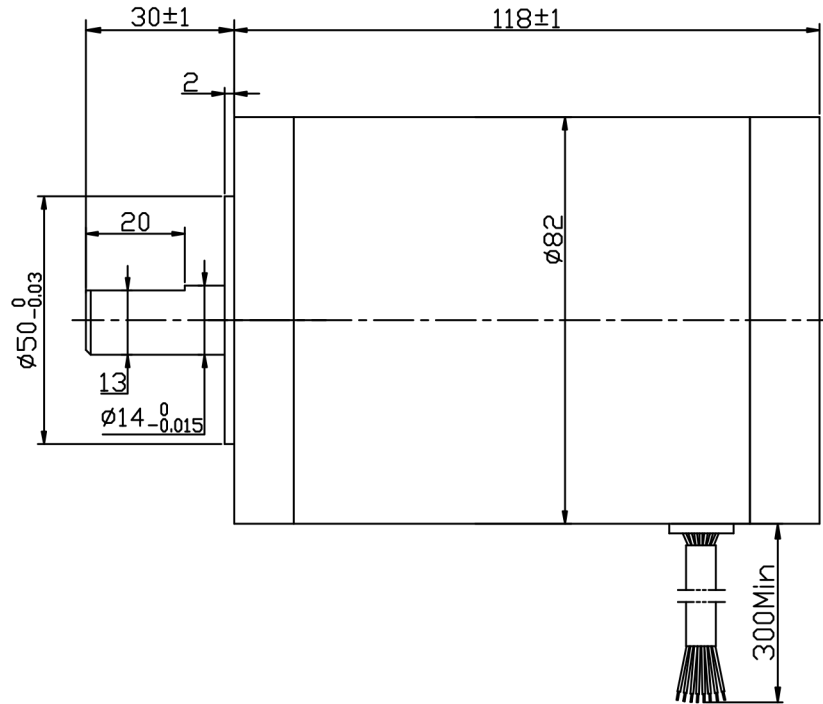


Dimension:
Unit=mm

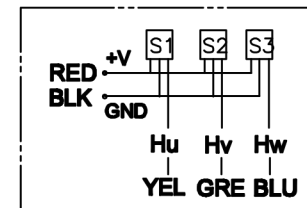


ROTATION: CCW SEE FROM LEAD END

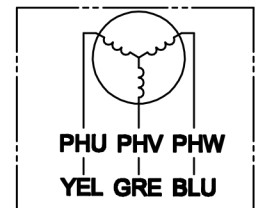
MANUFACTUER MODEL	JK80BLS03
NUMBER OF POLES	4
PHASE TO PHASERESISTANCE	0.35 OHMS
NOMINAL VOLTAGE	48 VDC
NO LOAD SPEED	3700±10% RPM
NO LOAD CURRENT	1 Amps Max.
RATED TORQUE	1.05 N-m
RATED SPEED	3000±10% RPM
OUTPUT POWER	330 W
BACK EMF CONSTANT	13 V/kRPM
TORQUE CONSTANT	0.124 N-m/A
INSULATION CLASS	B

+			
+5V	RED	紅	UL1007 26 AWG
HALL U	YEL	黃	
HALL V	GRE	綠	
HALL W	BLU	藍	
GND	BLK	黑	
PHASE U	YEL	黃	UL1015 18 AWG
PHASE V	GRE	綠	
PHASE W	BLU	藍	

Connection diagram:



Hall sensor cable
Note: hall sensor power supply
voltage +5 to +20VDC



Wiring cable

				Title:		Changzhou BesFoc Motor Co., Ltd	
				Specification			
REV.	QTY.	No.	SIG.	DATE	CLS.MAK	WEIGHT	SCALE
DESIGN	WH	18.01.08	STD.				
CHECK							
PROC.			APPR.		PAGE:	1/1	
						BF80BLS03	
						www.besfoc.com	