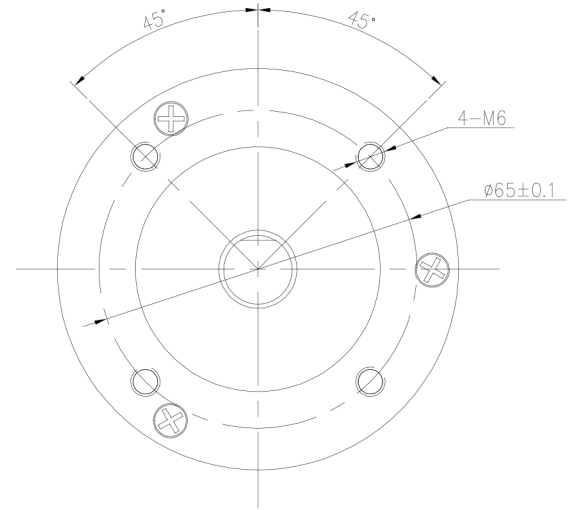
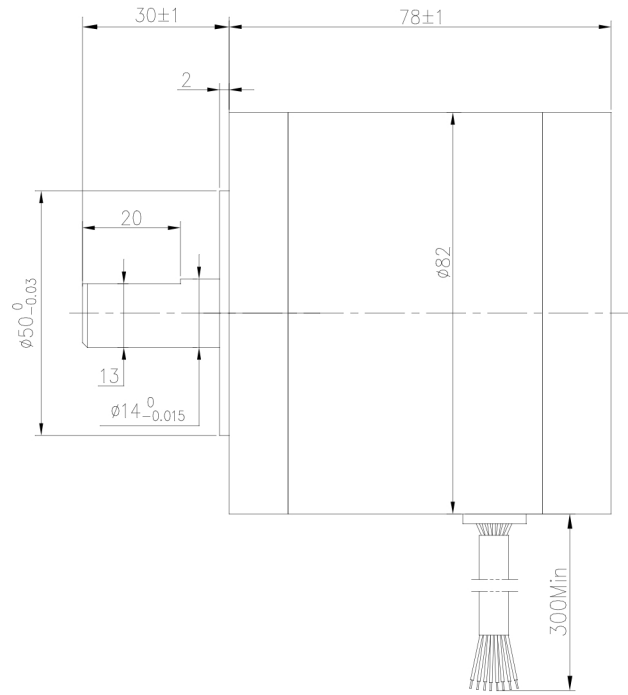
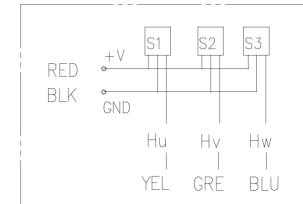


Dimension:  
Unit=mm

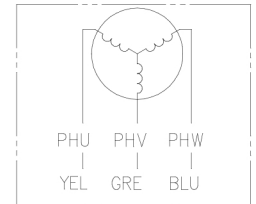


Connection diagram:



Hall sensor cable

Note: hall sensor power supply  
voltage +5 to +20VDC



Wiring cable

ROTATION: CCW SEE FROM LEAD END

|                           |               |
|---------------------------|---------------|
| MANUFACTURER MODEL        | JK80BLS01     |
| NUMBER OF POLES           | 4             |
| PHASE TO PHASE RESISTANCE | 1.2 OHMS      |
| NOMINAL VOLTAGE           | 48 VDC        |
| NO LOAD SPEED             | 3600±10% RPM  |
| NO LOAD CURRENT           | 0.8 Amps Max. |
| RATED TORQUE              | 0.35 N-m      |
| RATED SPEED               | 3000±10% RPM  |
| OUTPUT POWER              | 110 W         |
| BACK EMF CONSTANT         | 13.5 V/kRPM   |
| TORQUE CONSTANT           | 0.13 N-m/A    |
| INSULATION CLASS          | B             |

| ELECTRICAL CONNECTION TABLE |     |   |                  |
|-----------------------------|-----|---|------------------|
| +5V                         | RED | 红 | UL1007<br>26 AWG |
| HALL U                      | YEL | 黄 |                  |
| HALL V                      | GRE | 绿 |                  |
| HALL W                      | BLU | 蓝 |                  |
| GND                         | BLK | 黑 | UL1015<br>18 AWG |
| PHASE U                     | YEL | 黄 |                  |
| PHASE V                     | GRE | 绿 |                  |
| PHASE W                     | BLU | 蓝 |                  |

| REV.   | QTY. | No.      | SIG.  | DATE |
|--------|------|----------|-------|------|
| DESIGN | WH   | 20.01.07 | STD.  |      |
| CHECK  |      |          |       |      |
| PROC.  |      |          | APPR. |      |

|               |        |       |                                 |  |  |
|---------------|--------|-------|---------------------------------|--|--|
| Title:        |        |       | Changzhou BesFoc Motor Co., Ltd |  |  |
| Specification |        |       | BF80BLS01                       |  |  |
| CLS.MAK       | WEIGHT | SCALE | www.besfoc.com                  |  |  |
| PAGE:         |        | 1/1   |                                 |  |  |