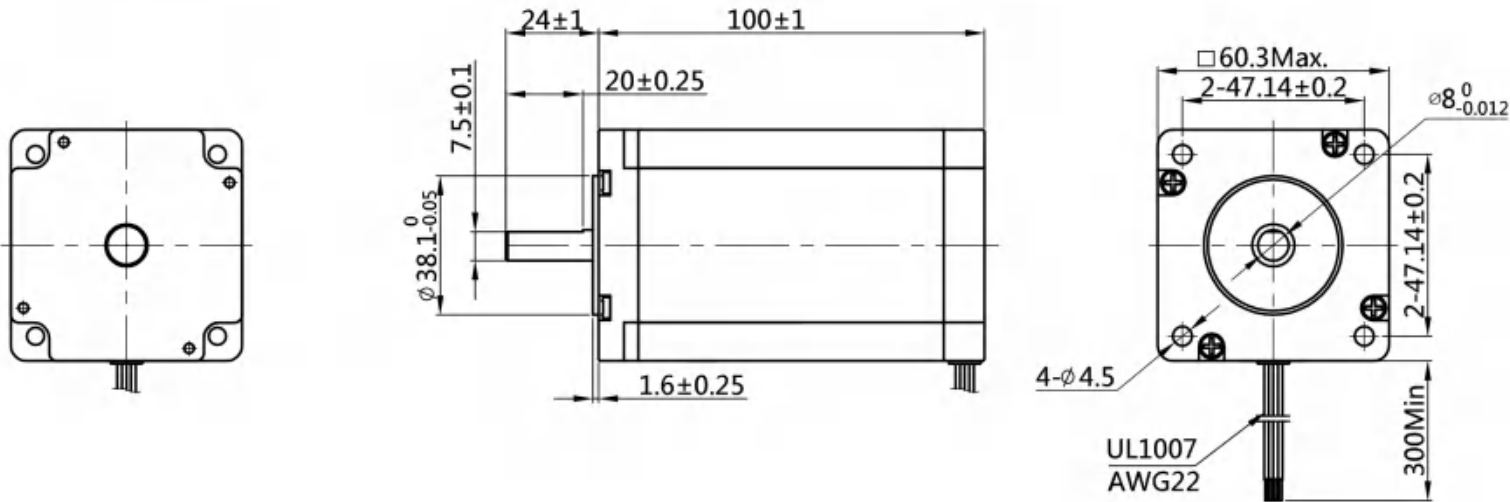
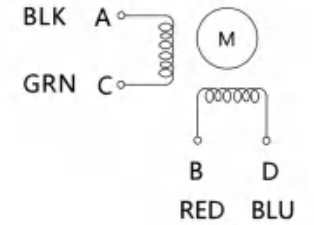


# HYBRID STEPPING MOTOR SPECIFICATION

DIMENSIONS unit=mm



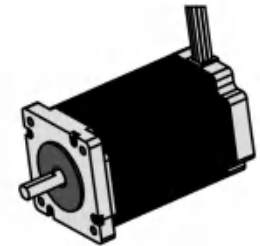
Wiring Diagram



Exciting Sequence vs.  
Direction of Rotation

STEP	A	B	C	D	
1	+	+	-	-	↓ CW ↑ CCW
2	-	+	+	-	
3	-	-	+	+	
4	+	-	-	+	

Clockwise view from mounting side



1、 Number of Phase	2				
2、 Step Angle	1.8° deg.				
3、 Rated Voltage	2.8 V				
4、 Rated Current/Phase	4 A ( Peak Value )				
5、 Phase Resistance	0.7 Ω±0.1(20°C)				
6、 Phase Inductance	3 mH±20%(1kHz 1V RMS)				
7、 Holding Torque	4 N.m				
8、 Insulation Class	B ( 130° ); 80K Max.				
9、 Weight	0.65 kg				
<b>Specifications</b>		<b>Comment</b>			

REV.	REVISION RECORD		DATE
DESIGN	成兆茹 2020.6.30	Changzhou BesFoc Motor Co., Ltd	
STANDARD		www.besfoc.com	
TECHNOLOGY		<b>Specification</b>	
CHECK			
APPROVE			

TITLE	STEPPING MOTOR				
DWG.NO.	BF 60HS100-4004F				
MATERIAL	ECN SIGN	✳	SIZE	A4	
REV.	A	SCALE	1:2	SHEET	1 of 1