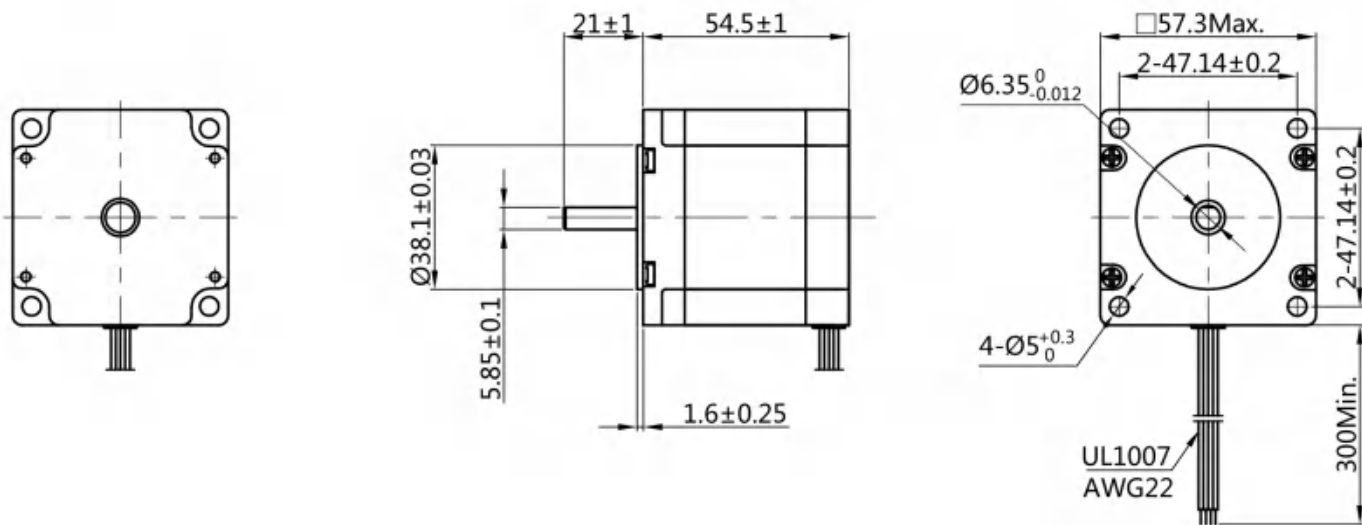
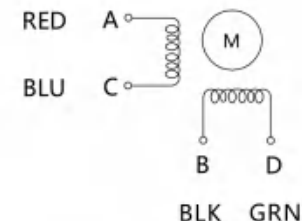


HYBRID STEPPING MOTOR SPECIFICATION

DIMENSIONS unit=mm



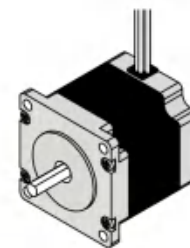
Wiring Diagram



Exciting Sequence vs. Direction of Rotation

STEP	A	B	C	D	
1	+	+	-	-	
2	-	+	+	-	
3	-	-	+	+	
4	+	-	-	+	

Clockwise view from mounting side



1, Number of Phase	2	<p style="text-align: center;">Specifications</p> <p style="text-align: center;">Comment</p>				
2, Step Angle	1.8° deg.					
3, Rated Voltage	2.5 V					
4, Rated Current/Phase	2.8 A (Peak Value)					
5, Phase Resistance	0.9 Ω±0.1(20°C)					
6, Phase Inductance	2.5 mH±20%(1kHz 1V RMS)					
7, Holding Torque	12.6 Kg.cm					
8, Insulation Class	B (130°); 80K Max.					
9, Weight	0.7 kg					
				REV.	REVISION RECORD	DATE
				DESIGN	YY 2020.06.29	<p style="text-align: center;">Changzhou BesFoc Motor Co., Ltd www.besfoc.com</p> <p style="text-align: center;">Specification</p>
				STANDARD		
				TECHNOLOGY		
				CHECK		
				APPROVE		

TITLE	STEPPING MOTOR			
DWG.NO.	BF57HS56-2804-03			
MATERIAL	ECN SIGN	✳	SIZE	A4
REV.	A	SCALE	1:2	SHEET 1 of 1