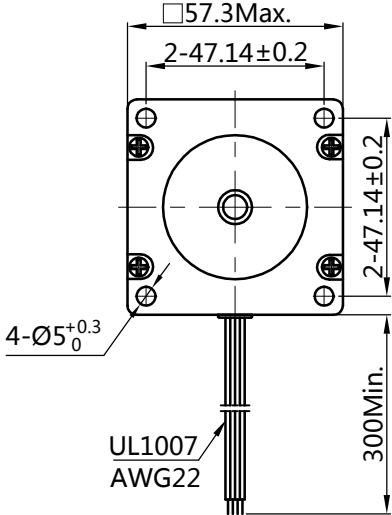
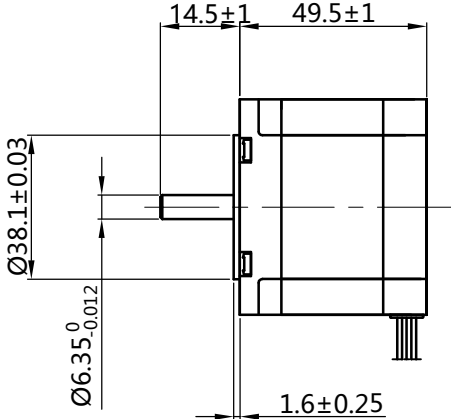
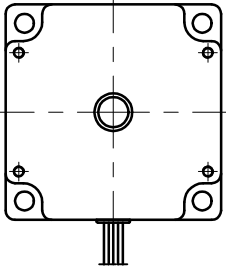
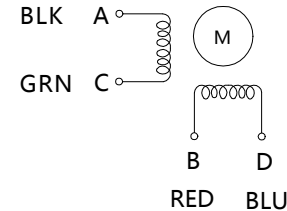


HYBRID STEPPING MOTOR SPECIFICATION

DIMENSIONS unit=mm



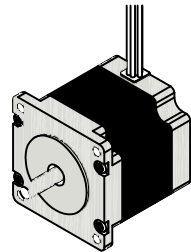
Wiring Diagram



Exciting Sequence vs. Direction of Rotation

STEP	A	B	C	D	
1	+	+	-	-	↓ CW ↑ CCW
2	-	+	+	-	
3	-	-	+	+	
4	+	-	-	+	

Clockwise view from mounting side



1、 Number of Phase	2				
2、 Step Angle	1.8° deg.				
3、 Rated Voltage	2.3 V				
4、 Rated Current/Phase	2.8 A (Peak Value)				Email: sales@besfoc.com
5、 Phase Resistance	0.83 Ω±0.1(20°C)				REV. REVISION RECORD DATE
6、 Phase Inductance	2.2 mH±20%(1kHz 1V RMS)				DESIGN YY 2020.06.29 Changzhou BesFoc Motor Co., Ltd www.besfoc.com
7、 Holding Torque	10.1 Kg.cm				STANDARD
8、 Insulation Class	B (130°) ; 80K Max.				TECHNOLOGY
9、 Weight	0.59 kg				CHECK
Specifications		Comment			APPROVE

TITLE	STEPPING MOTOR				
DWG.NO.	BF57HS51-2804				
MATERIAL	ECN SIGN	✳	SIZE	A4	
REV.	A	SCALE	1:2	SHEET	1 of 1