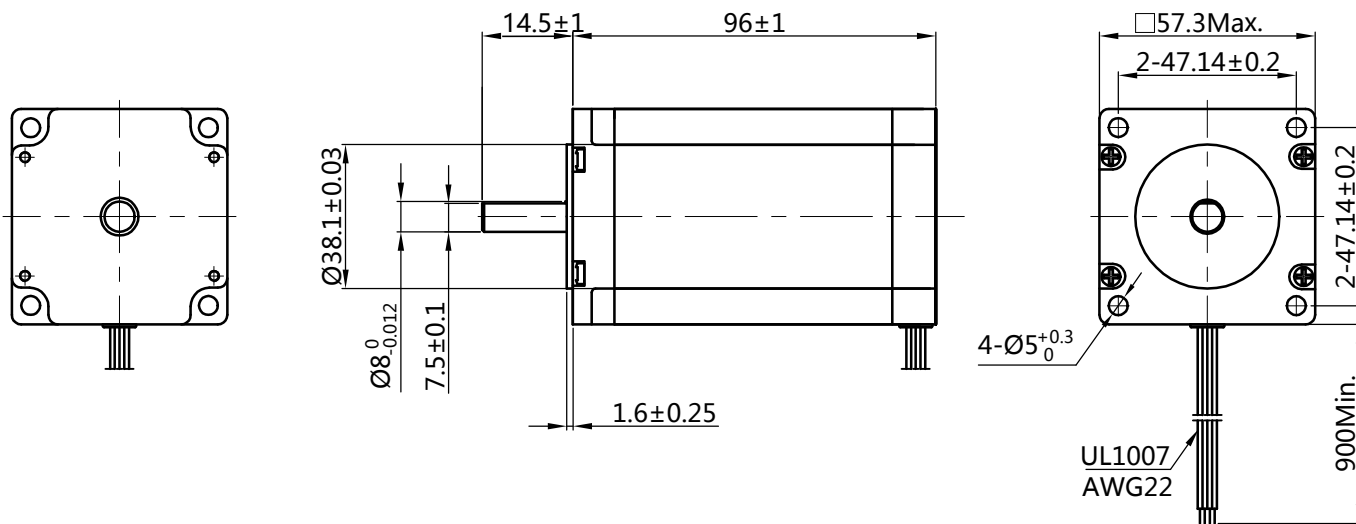
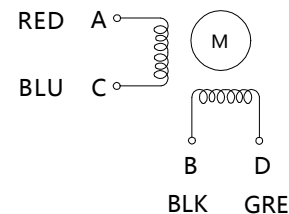


# HYBRID STEPPING MOTOR SPECIFICATION

DIMENSIONS unit=mm



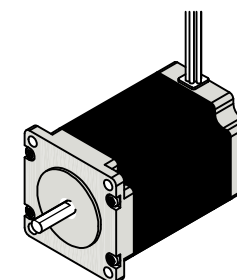
## Wiring Diagram



## Exciting Sequence vs. Direction of Rotation

STEP	A	B	C	D	
1	+	+	-	-	↓ CW ↑ CCW
2	-	+	+	-	
3	-	-	+	+	
4	+	-	-	+	

Clockwise view from mounting side



1、 Number of Phase	2							
2、 Step Angle	1.8° deg.							
3、 Rated Voltage	4.2 V							
4、 Rated Current/Phase	3 A ( Peak Value )					Email: sales@besfoc.com		
5、 Phase Resistance	1.4 Ω±10%(20°C)					REV.	REVISION RECORD	DATE
6、 Phase Inductance	5 mH±20%(1kHz 1V RMS)					DESIGN	YY 2020.06.29	Changzhou BesFoc Motor Co., Ltd
7、 Holding Torque	25 Kg.cm					STANDARD		www.besfoc.com
8、 Insulation Class	B ( 130° ) ; 80K Max.					TECHNOLOGY		Specification
9、 Weight	1.5 kg					CHECK		
<b>Specifications</b>		<b>Comment</b>		APPROVE				

TITLE	STEPPING MOTOR				
DWG.NO.	BF57HS100-3004-01				
MATERIAL		ECN SIGN	*	SIZE	A4
REV.	A	SCALE	1:2	SHEET	1 of 1