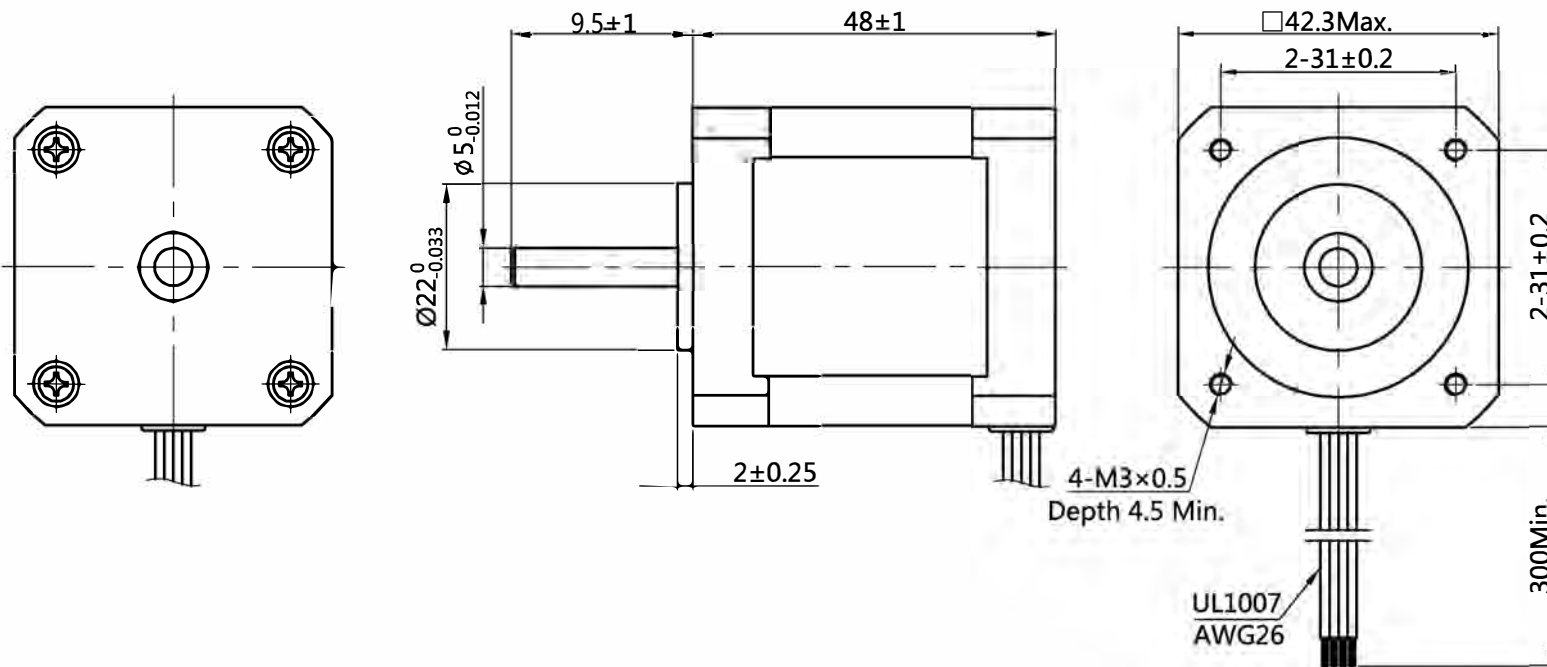
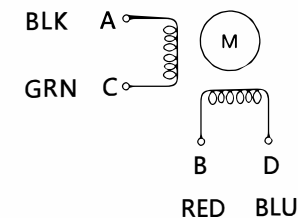


HYBRID STEPPING MOTOR SPECIFICATION

DIMENSIONS unit=mm



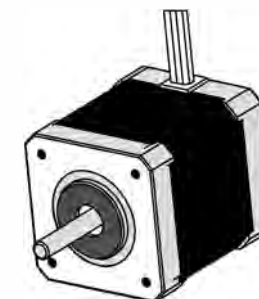
Wiring Diagram



Exciting Sequence vs. Direction of Rotation

STEP	A	B	C	D	
1	+	+	-	-	CCW ↑
2	-	+	+	-	
3	-	-	+	+	
4	+	-	-	+	

Clockwise view from mounting side



1、 Number of Phase	2				
2、 Step Angle	1.8° deg.				
3、 Rated Voltage	/				
4、 Rated Current/Phase	1.68A (峰值 Peak Value)			E mail: sales@besfoc.com	
5、 Phase Resistance	1.65 Ω±0.1(20°C)			REV.	REVISION RECORD
6、 Phase Inductance	2.8 mH±20%(1kHz 1V RMS)			DESIGN	成兆茹 2020.6.30
7、 Holding Torque	5.5 kg.cm			STANDARD	
8、 Insulation Class	B (130°) ;温升 80K Max.			TECHNOLOGY	
9、 Weight	0.38 kg			CHECK	
				APPROVE	

TITLE	STEPPING MOTOR			
DWG.NO.	BF42HS48-1684			
MATERIAL	ECN SIGN	※	SIZE	A4
REV.	A	SCALE	1:2	SHEET 1 of 1

Specification