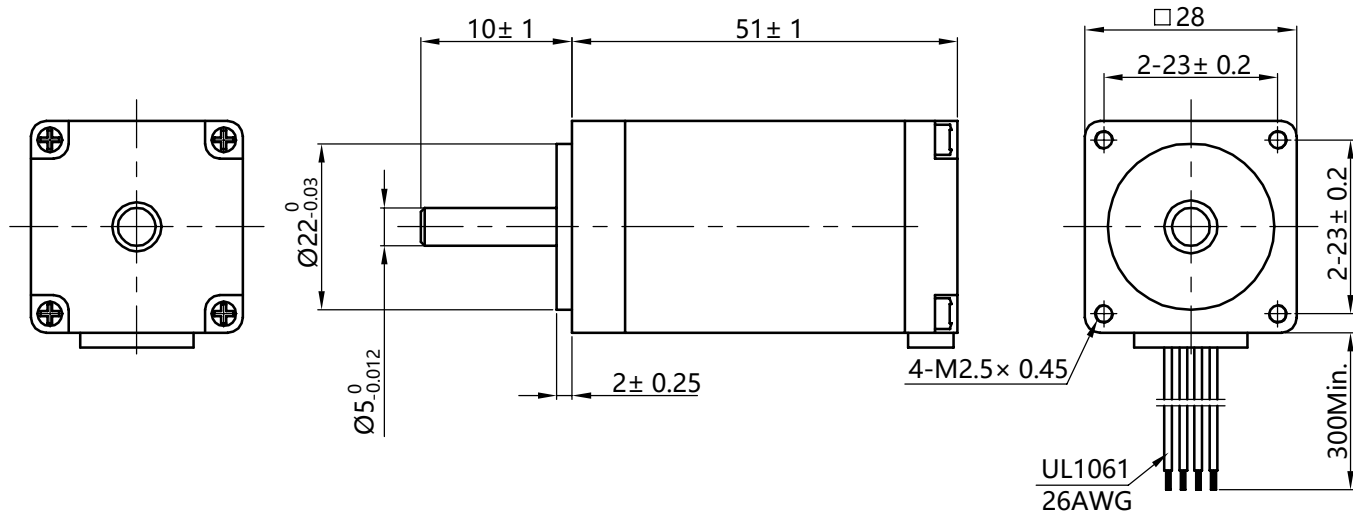
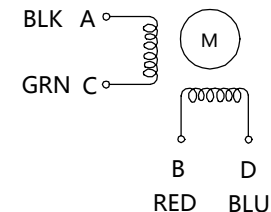


# HYBRID STEPPING MOTOR SPECIFICATION

**DIMENSIONS unit=mm**



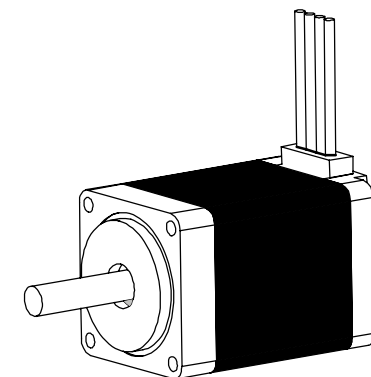
Wiring Diagram



Exciting Sequence vs. Direction of Rotation

STEP	A	B	C	D	
1	+	+	-	-	CW ↓      CCW ↑
2	-	+	+	-	
3	-	-	+	+	
4	+	-	-	+	

Clockwise view from mounting side



1、 Number of Phase	2				
2、 Step Angle	1.8° deg.				
3、 Rated Voltage	6.16 V				
4、 Rated Current/Phase	0.67 A ( Peak Value)				
5、 Phase Resistance	9.2 Ω ± 0.1(20°C)				
6、 Phase Inductance	7.2 mH± 20%(1kHz 1V RMS)				
7、 Holding Torque	1200g.cm				
8、 Insulation Class	B (130° ) ; 80K Max.				
9、 Weight	0.2 kg				
<b>Specifications</b>		<b>Comment</b>			

Email: sales@besfoc.com

REV.	REVISION RECORD	DATE
DESIGN		
STANDARD		
TECHNOLOGY		
CHECK		
APPROVE		

Changzhou BesFoc Motor Co., Ltd  
www.besfoc.com

**Specification**

TITLE	STEPPING MOTOR				
DWG.NO.	BF28HS51-0674				
MATERIAL	ECN SIGN	✳	SIZE	A4	
REV.	A	SCALE	1:1	SHEET	1 of 1